

**TRANSMITTAL NOTICE**

**Date: April 1994**

**Publication Number: CDM-1123-0B1**

**Publication Title: MWS-E User Guide Change Packet**

Remove	Insert	Page Numbers	# of Sheets	General contents of manual described and changes (if any) listed
★	★	Rec. of Rev. page iii, Contents vii, 4-9, and Ind-5.  Rec. of Rev. page iii, Contents vii, 4-9, 4-31 through 4-36, and Ind-5.	5  7	Please remove and shred the pages listed at left; this material is Cray Research Proprietary.  This change packet includes a new procedure for using the viewcd utility.



# Reader Comment Form

**Title:** MWS-E User Guide Change Packet

**Number:** CDM-1123-0B1

Your feedback on this publication will help us provide better documentation in the future. Please take a moment to answer the few questions below.

For what purpose did you primarily use this manual?

Troubleshooting  
 Tutorial or introduction  
 Reference information  
 Classroom use  
 Other - please explain \_\_\_\_\_

Using a scale from 1 (poor) to 10 (excellent), please rate this manual on the following criteria and explain your ratings:

Accuracy \_\_\_\_\_  
 Organization \_\_\_\_\_  
 Readability \_\_\_\_\_  
 Physical qualities (binding, printing, page layout) \_\_\_\_\_  
 Amount of diagrams and photos \_\_\_\_\_  
 Quality of diagrams and photos \_\_\_\_\_

Completeness (Check one)

Too much information \_\_\_\_\_  
 Too little information \_\_\_\_\_  
 Just the right amount of information

Your comments help Hardware Publications and Training improve the quality and usefulness of your publications. Please use the space provided below to share your comments with us. When possible, please give specific page and paragraph references. We will respond to your comments in writing within 48 hours.

NAME \_\_\_\_\_  
JOB TITLE \_\_\_\_\_  
FIRM \_\_\_\_\_  
ADDRESS \_\_\_\_\_  
CITY \_\_\_\_\_ STATE \_\_\_\_\_ ZIP \_\_\_\_\_  
DATE \_\_\_\_\_

[or attach your business card]



CUT ALONG THIS LINE

Fold



NO POSTAGE  
NECESSARY  
IF MAILED  
IN THE  
UNITED STATES



**BUSINESS REPLY CARD**  
FIRST CLASS PERMIT NO 6184 ST. PAUL, MN

POSTAGE WILL BE PAID BY ADDRESSEE



**Attn: Hardware Publications and Training  
890 Industrial Boulevard  
Chippewa Falls, WI 54729**

Fold

STAPLE

# Record of Revision

---

Each time this manual is updated with a change packet, a change to part of a text page is indicated by a change bar in the margin directly opposite the change. A change bar in the footer of a text page indicates that most, if not all, of the text is new. A change bar in the footer of a page composed primarily of a table and/or figure may indicate that a change was made to that table/figure or, it could indicate that the entire table/figure is new. Change packets are assigned a numerical designator, which is indicated in the publication number on each page of the change packet.

Each time this manual is fully revised and reprinted, all change packets to the previous version are incorporated into the new version, and the new version is assigned an alphabetical revision level, which is indicated in the publication number on each page of the manual. A revised manual does not usually contain change bars.

---

REVISION	DESCRIPTION
	June 1991. Original printing.
A	January 1992. Reprint with revision. This manual is revised to reflect technical changes related to the ME1.1 diagnostic release. The "Error Logging System," "Installing and Using AnswerBook," and "System Clear Utility" sections are new. Many other technical changes and additions are incorporated.
A1	February 1992. Change packet including minor technical changes in Section 9, the addition of an Index, and an updated Table of Contents.
B	March 1993. Reprint with revision. This user guide is revised to reflect technical changes related to the ME-Y2.0 and ME-C1.0 diagnostic releases and SunOS 4.1.2. The "EASE Error Logger," and "New WACS User Information" sections are new. Many other technical changes and additions are incorporated.
B1	April 1994. Change packet adds a procedure in Section 4 for using the system utility, viewcd.



## 4 MAINTENANCE & DIAGNOSTIC ENVIRONMENT (continued)

---

Displaying Online Diagnostic Listings .....	4-23
cfpg Utility .....	4-23
ccfpg Utility .....	4-26
Printing Online Diagnostic Listings .....	4-27
Channel Overview .....	4-27
IOS Model E .....	4-27
MWS-E and OWS-E .....	4-28
SSD Solid-state Storage Device Model E .....	4-29
Using viewed .....	4-32

## 5 SYSTEM ADMINISTRATION

---

Process Monitoring .....	5-1
Monitoring Users .....	5-2
Monitoring Disk Space .....	5-3
Log Files .....	5-3
Hard Disk File Partitions .....	5-4
Backup Procedures .....	5-5
Recommended Streaming Tapes .....	5-6
Unreadable Streaming Tapes and Compact Discs .....	5-6
CD-ROM Error Messages .....	5-7
Full Backup Procedure .....	5-8
Backup Schedules .....	5-11
Incremental Backup Procedure .....	5-13
Recovering Lost or Damaged Files .....	5-13
Restoring a File .....	5-14
Restoring Files in Interactive Mode .....	5-15
Restoring an Entire File System Partition .....	5-17
Restoring the /cri, /home, or /var File Systems ..	5-18
Restoring the / (root) or /usr File Systems .....	5-20
Copying UNIX Tapes .....	5-23
Adding a User to the System .....	5-25

## 5 SYSTEM ADMINISTRATION (continued)

---

Crontab Files .....	5-26
Crontab File Fields .....	5-26
Changing Your Crontab File .....	5-28
Laser Printer Administration .....	5-28
Printing with the Laser Printer .....	5-28
Related Network Files .....	5-30
Line Printer Daemon .....	5-31
Restarting the lpd Daemon .....	5-31
Submitting Print Jobs .....	5-32
Monitoring and Canceling Print Jobs .....	5-32
Common Printer Problems .....	5-33
Repairing Defects on the Disk Drive .....	5-34

## 6 MWS-E SYSTEM SECURITY

---

Passwords .....	6-1
Password Aging .....	6-2
umask Setting .....	6-2
umask Command .....	6-3
Preventing Root Login from the Console .....	6-3
Login Accounts .....	6-4
Wheel Group .....	6-5
Preventing Password-free Logins over a Network .....	6-5
Login Spoofs .....	6-6
Trojan Horses .....	6-6
MWS-E Physical Security .....	6-7
.rhosts (rcp, rsh, rlogin) File .....	6-7
File Transferring: ftp and ftpd .....	6-8
Summary .....	6-8



**mount\_cd**

This CRAY Y-MP C90 command mounts compact discs written in High Sierra file system (hfs) format under the `/cdrom` directory. This command was created because the `mount` command requires root access; the `mount_cd` command allows any user to mount a compact disc (CD). The `mount_cd` command must be owned by root and have the set uid permission set. The `mount_cd -u` option unmounts the CD. The CD must be unmounted before you can eject it from the CD-ROM player.

**nwacs**

This command starts the new WACS software program, which is a point-and-click window that runs under the OpenWindows environment. The new WACS programs are described in Section 11, "New WACS User Information."

**pmnotify**

The preventive maintenance notification utility notifies an operator using the `mws` login of scheduled system maintenance activities by sending E-mail messages. The `pmnotify` utility is described in Section 4, "Preventive Maintenance," of the *MWS-E and OWS-E Hardware Maintenance Manual*, publication number CMM-1122-0B0.

**r30net**

This program is included for sites that use the Telebit NetBlazer for a remote support connection to a Communication Hub. The program edits operating system networking files and writes configuration information and addresses for your site. This program is described in Appendix B of the *ME-Y2.0 Release Bulletin*.

**release**

Entering the `release` command displays the release levels of the software installed on your MWS-E. This information is stored in the files in the `/cri/lib` directory.

**simulate**

This program is used with the `cft0` level 0 CPU function test. It is used to test user-created instruction lists run on the MWS-E and to compare them to the results of the same instructions run on the mainframe CPUs. Refer to the *CRAY Y-MP and CRAY X-MP EA Off-line Diagnostic Reference Manual*, publication number CDM-1116-0B0, for further information.

**spares**

The spares utility is a menu-driven program that provides a means of mapping the spare DRAM chips in place of faulty DRAM chips on the SSD-E/32i. The SSD-E/32i contains 12 spare DRAM chips that can be remotely programmed by the spares utility. Refer to the *SSDE and JSSD Maintenance Systems User Guide*, publication number CDM-1019-0A0, for detailed information.

**ssde and ssdeuser**

The `ssde` command invokes the SSD-E Maintenance System (SSDE), which is a diagnostic environment used to troubleshoot the SSD-E. The `ssdeuser` directory stores snaps created while the `ssde` command is run. Refer to the *SSDE and JSSD Maintenance Systems User Guide*, publication number CDM-1019-0A0, for detailed information.

**sysclr**

This program is used to clear residual or stored data from different areas of the CRI computer system as described in Section 10, "System Clear Utility."

**viewcd**

This program is used to view Engineering Documentation files on the compact disc (CD) sent to CRAY Y-MP and CRAY C90 series sites. The `viewcd` command will mount the CD if it is not already mounted. Refer to Page 4-32 for instructions on using `viewcd`.

**wacs**

This program is a server daemon used by the WACS system programs on the MWS-E. Refer to Section 7, "WACS User Information," for further information on WACS programs.

**wloop, cond, config, and makediags**

These programs are called by the `config` shell script during the diagnostic configuration process as described in the following pages.

**ybug and ysim**

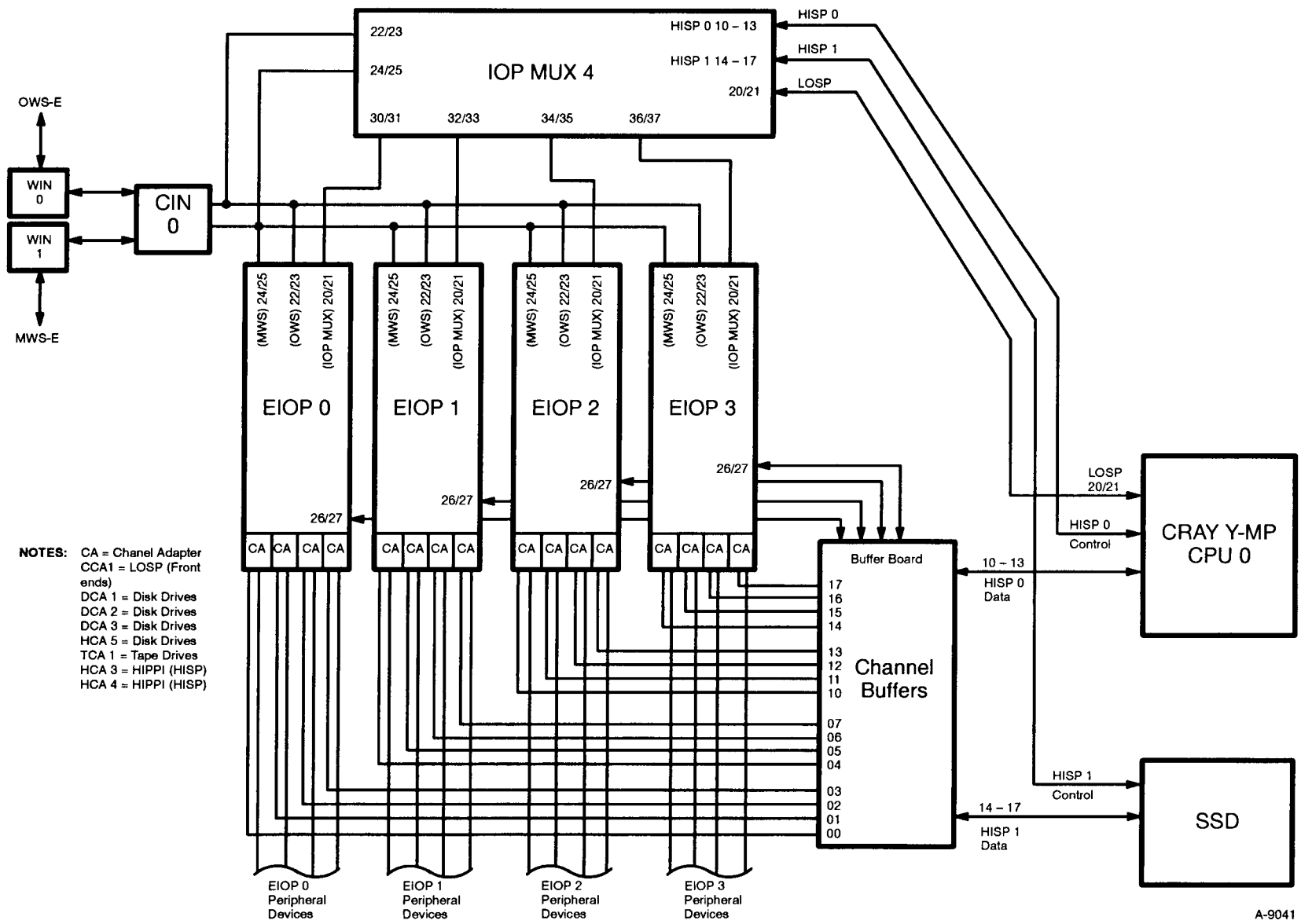
These commands are part of the CRAY Y-MP and X-MP EA instruction-level simulator (YSIM). Refer to the *CRAY Y-MP and X-MP EA Simulator User Guide*, publication number CDM-0414-000, for complete information.

## Diagnostic Configuration (config)

---

The `config` shell script is used to configure CRAY Y-MP diagnostics. You must have root privileges to run the `config` shell script.

The `config` command allows you to configure diagnostics to your particular site. When diagnostic tapes are first installed, the installation program loads your diagnostics and initiates the configuration process by running the `config` program; the current diagnostic Site Installation Bulletin lists the procedure for the diagnostic installation. However, at some later time it may be necessary to reconfigure your system; for example, you need to reconfigure it if you need to recable the MWS to different channels.



A-9041

Figure 4-3. Cluster 0 Channel Connections

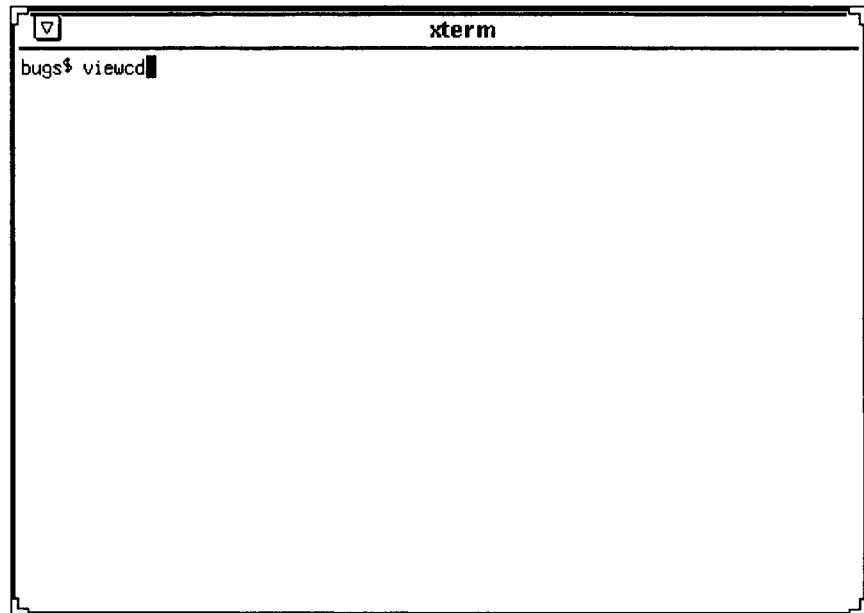
## Using viewcd

---

The `viewcd` utility is software that allows the user to access documents recorded on a compact disk read-only memory (CD-ROM).

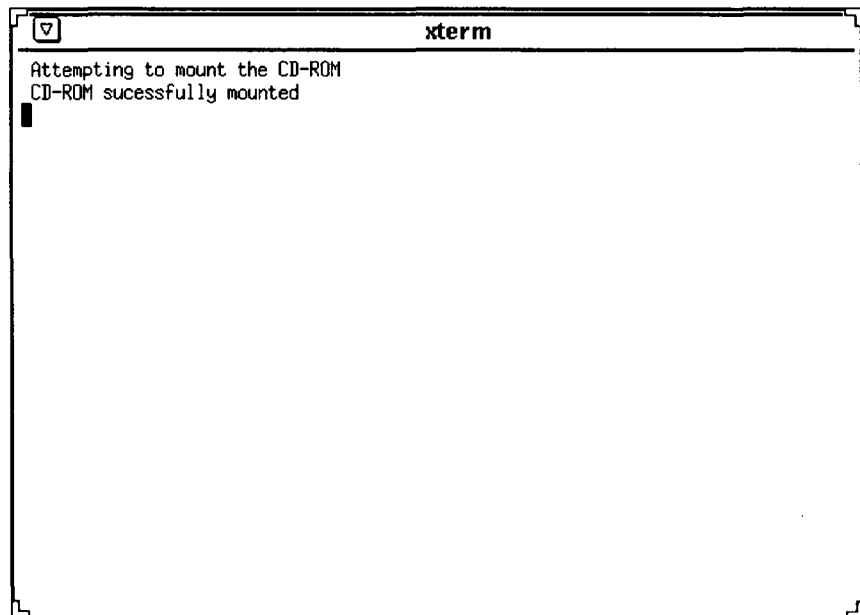
In the following example, each numbered step has a companion `xterm` window display that illustrates and supplements the text.

1. Start `viewcd` by entering `viewcd` in an `xterm` window.



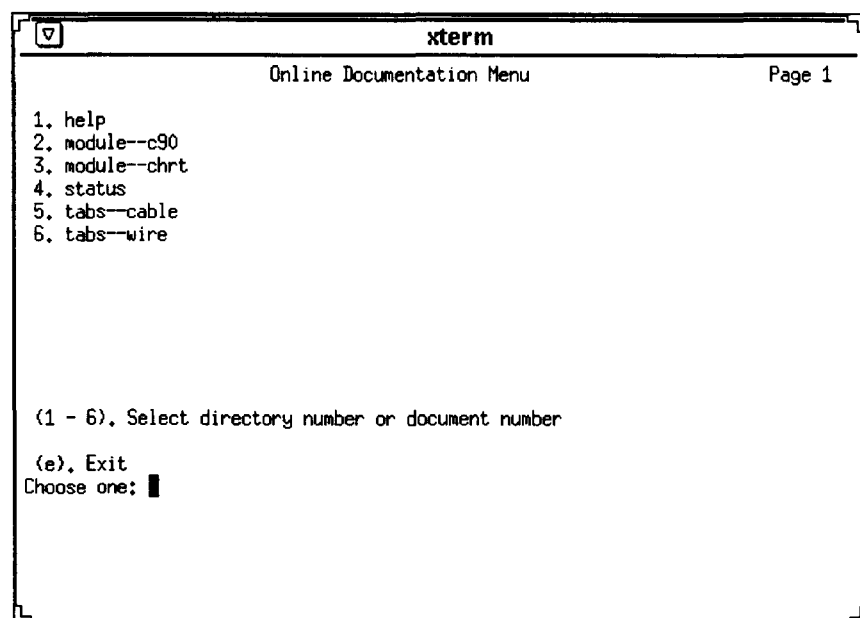
2. A display appears that indicates the CD-ROM is being mounted.

When the CD-ROM is ready to use, you are notified with a status message.



```
xterm
Attempting to mount the CD-ROM
CD-ROM successfully mounted
█
```

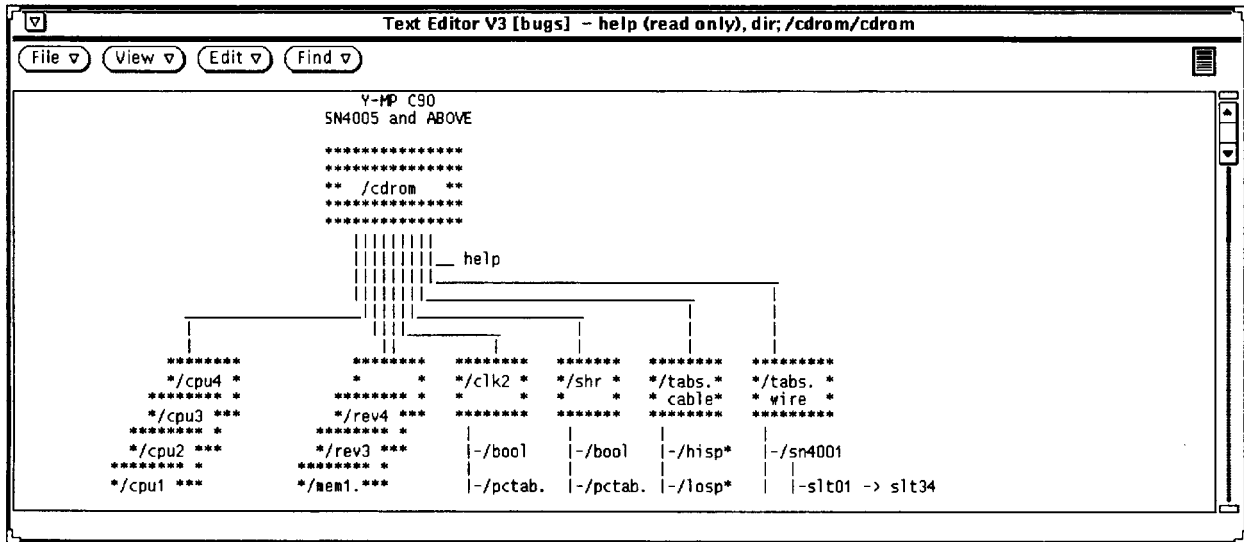
3. The main menu appears automatically and displays the contents of your CD-ROM. To continue this example, enter 1, the help selection.



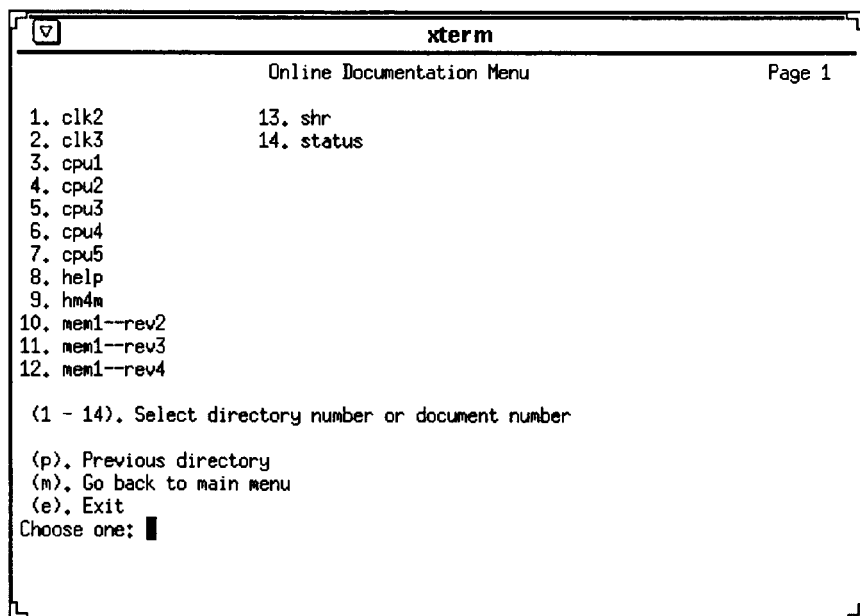
```
xterm
Online Documentation Menu Page 1
1. help
2. module--c90
3. module--chrt
4. status
5. tabs--cable
6. tabs--wire

(1 - 6). Select directory number or document number
(e). Exit
Choose one: █
```

- In a few seconds, a Text Editor window opens and displays the contents of the help file. Normal Text Editor commands are applicable. (The xterm window that contains the menu remains available, allowing you to create multiple Text Editor windows if you wish.) Text Editor windows remain open until the end of the session unless you close them.



- The menu structure in `viewcd` is hierarchical. If you had entered 2 at the main menu in Step 3, the second-level menu shown below would have appeared, offering 14 CRAY C90 module choices. The following display screen defines program navigation options `p`, `m`, and `e`. To continue, enter 1.



6. Entering 1 in the previous step results in a third-level menu that offers you a choice of viewing the `clk2` selection in either Boolean or `wiretab` format. Enter 1 again to select `boolean`.

```
xterm
Online Documentation Menu Page 1

1. boolean
2. pctabs

(1 - 2). Select directory number or document number

(p). Previous directory
(m). Go back to main menu
(e). Exit
Choose one: █
```

7. A fourth-level menu appears. After you have selected one of the six choices (modules) from the fourth-level menu shown below, a Text Editor window appears (not shown here) that displays the `dl` module Boolean you requested.

```
xterm
Online Documentation Menu Page 1

1. dl
2. dm
3. dn
4. ta
5. tb
6. tc

(1 - 6). Select directory number or document number

(p). Previous directory
(m). Go back to main menu
(e). Exit
Choose one: █
```

8. Finally, when you are ready to end the session, enter `e`. The `viewcd` utility automatically closes any Text Editor windows that are open, unmounts the CD-ROM, and returns to the system prompt.

```
xterm
Online Documentation Menu Page 1
1. help
2. module--c90
3. module--chrt
4. status
5. tabs--cable
6. tabs--wire

(1 - 6). Select directory number or document number

(e). Exit
Choose one: e
Killing all Textedit windows
CD-ROM sucessfully unmounted
bugs$ █
```



**T**

tar utility, 5-6  
Trojan horses, 6-6-6-7  
Tutorials  
  OpenWindows 2.0, 3-7-3-10  
  OpenWindows 3.0 help, 3-11  
  OpenWindows, French and German, 3-7,  
  **3-10**

**U**

umask  
  command, 6-3  
  setting, 6-2, **6-3**

**V**

viewcd  
  command, 4-10  
  procedure, 4-32-4-36

**W**

WACS  
  *See also* New WACS  
  differences from new wacs, 11-1  
  programs  
    configuring, 7-3-7-6  
    described, 7-1-7-2  
    running, 7-7-7-10  
  status and display screen, 7-8-7-9, **7-16**  
wacsfg program, 7-3-7-6  
Wheel group, 6-5  
wloop command, 4-10

**X**

X11, defined, 3-1  
X11/NeWS, defined, 3-1  
xhosts file, defined, 3-2  
xmodmap utility, 3-14  
xterm windows, MWS-E, 3-2

**Y**

ybug command, 4-10  
ysim command, 4-10

