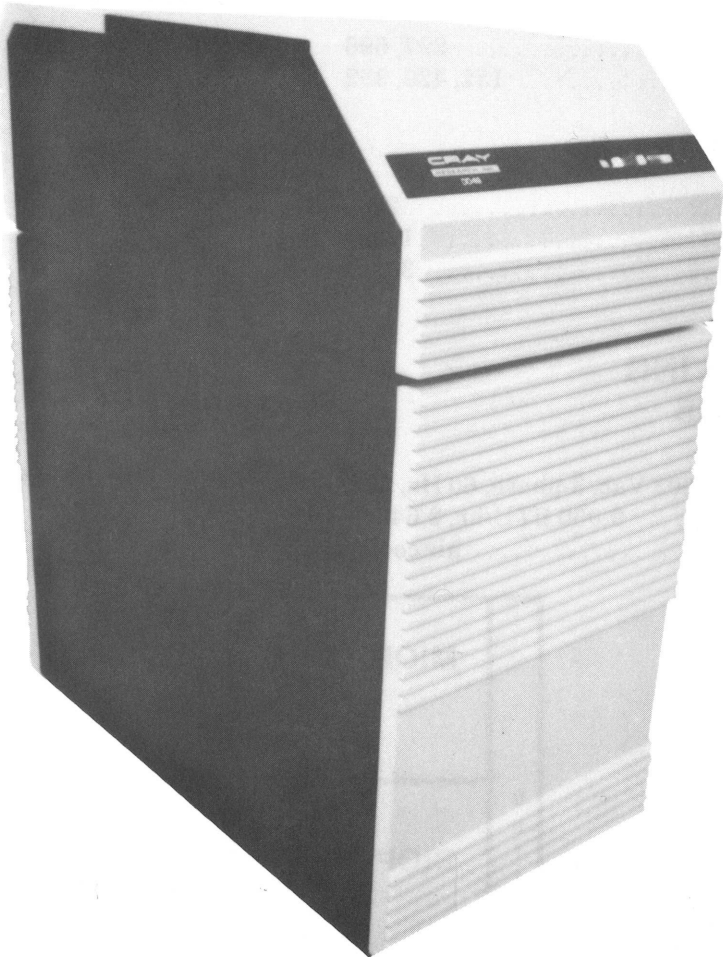


DD-49 DISK DRIVE



Specification Sheet
HR-4010

DD-49 SPECIFICATIONS

DD-49 FEATURES

Storage capacity 1,200 Mbytes

Transfer rate:

- Burst rate 12 Mbytes/s
- Sustained rate 9.6 Mbytes/s

Total data sectors 297, 696

Total data words 152, 420, 352

Typical position delays:

- Single track 2 ms
- Average 16 ms
- Full stroke 30 ms

POWER & COOLING SPECIFICATIONS

Required power 208 Vac, 3-phase, 60 Hz, 20A

Heat load 9,000 BTU/hr, 2,640 W

Type of cooling air cooled

PHYSICAL DESCRIPTION

Floor space 7.3 ft² (0.68 m²)

Weight 844 lbs (383 kgs)

PLACEMENT/CABLING SPECIFICATIONS

Minimum clearance:

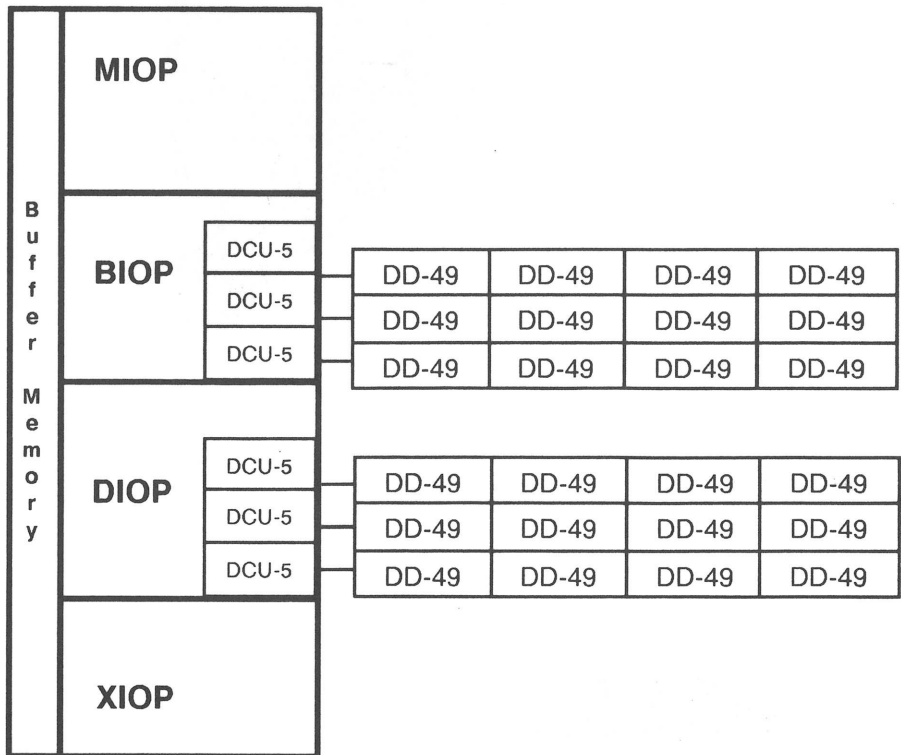
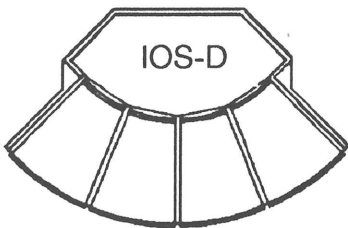
- Sides 12 in. (30 cm)
- Front 36 in. (91 cm)
- Back 30 in. (76 cm)

Length of power cable 6 ft (1.8 m)

Maximum length of data cables 50 ft (15 m)

Copyright © 1989 Cray Research, Inc. This document or parts thereof may not be reproduced in any form unless permitted by contract or by written permission of Cray Research, Inc.

CRAY is a registered trademark and IOS is a trademark of Cray Research, Inc.



IOS Model D and DD-49 Disk Drive Maximum Configuration