

SUPPORT SYSTEM (SS-1)

SITE PLANNING AND PREPARATION

Overview	2
Support System Chassis (SSC-1)	4
Specifications	4
Floor Preparation	6
Workstation Terminal (WT-1)	7
Specifications	7
Laser Printer (LP-7)	9
Specifications	9
Support System Table (TBL-4)	11
Floor Preparation	13
Power Wiring Requirements	14

Figures

Figure 1. Support System (SS-1)	3
Figure 2. Support System Chassis (SSC-1)	5
Figure 3. SSC-1 Floor Cutout Location	6
Figure 4. Workstation Terminal (WT-1)	8
Figure 5. Laser Printer (LP-7)	10
Figure 6. Support System Table (TBL-4)	12
Figure 7. TBL-4 Floor Cutout	13
Figure 8. SS-1 Power Wiring	15

Tables

Table 1. SSC-1 Specifications	4
Table 2. WT-1 Specifications	7
Table 3. LP-7 Specifications	9
Table 4. TBL-4 Specifications	11

Overview

The support system (SS-1) consists of the following components:

- Support system chassis (SSC-1)
- Two workstation terminals (WT-1s)
- Laser printer (LP-7)
- Support system table (TBL-4)

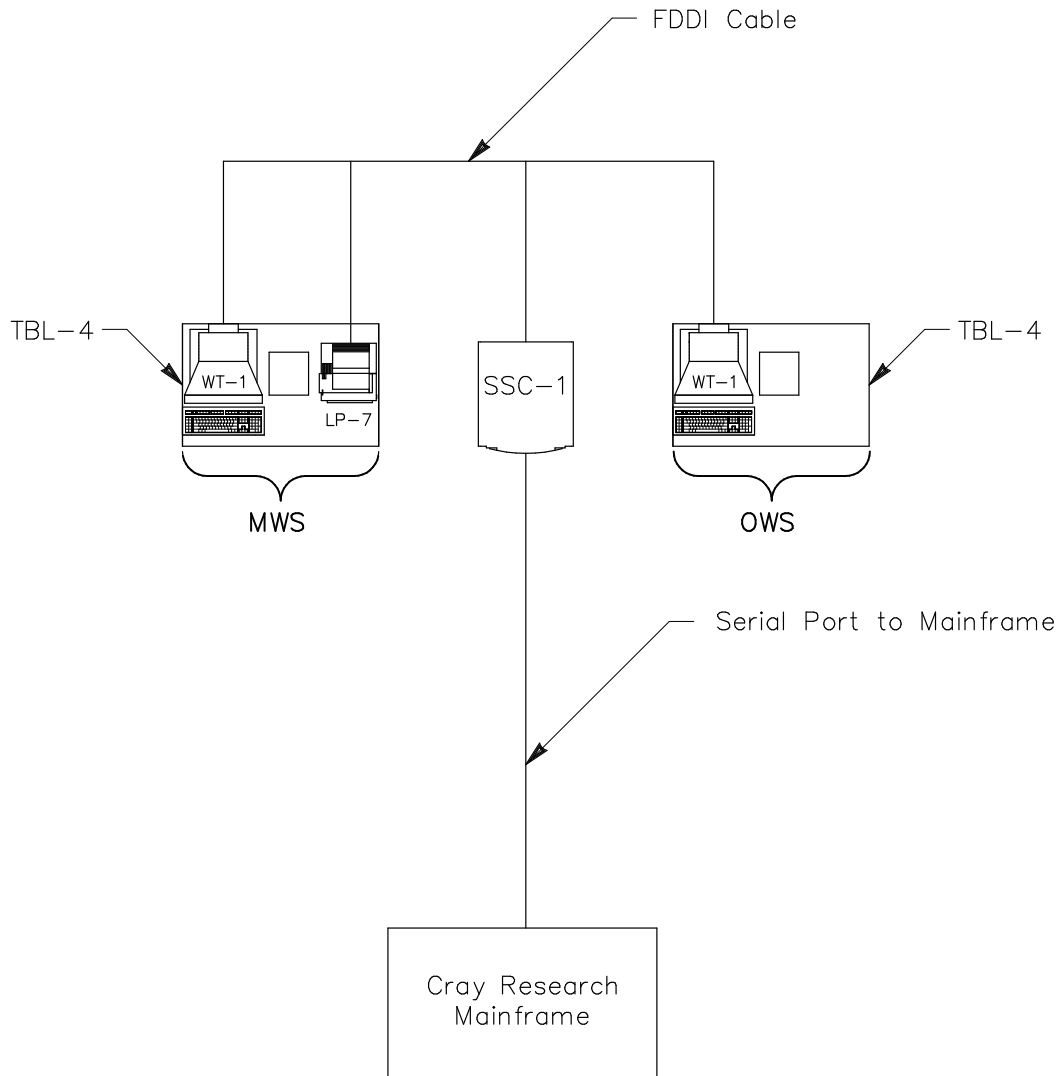
The support system components compose the operator workstation (OWS) and the maintenance workstation (MWS). The OWS and MWS each have a workstation terminal (WT-1). The OWS and MWS share access through FDDI communication channels to the support system chassis (SSC-1). The SSC-1 provides an interface to the mainframe for the MWS and OWS. The MWS connects to the laser printer (LP-7).

The OWS is dedicated for your computer operator's use. The MWS is usually dedicated to maintenance activities by the Cray Research field engineer, but it can also be used to perform operator (OWS) functions as well. For maintenance purposes, it is desirable to locate the MWS near the SSC-1. The OWS, however, can be located remotely; contact your Cray Research site planning representative for the specific equipment separation limits.

Refer to Figure 1 for an illustration of the SS-1.

The following subsections provide site planning information for each of the SS-1 components.

Figure 1. Support System (SS-1)



Support System Chassis (SSC-1)

The support system chassis (SSC-1) is an air-cooled cabinet that houses FDDI boards and system communication components. It connects the OWS and MWS with the computer mainframe to support computer operation and maintenance.

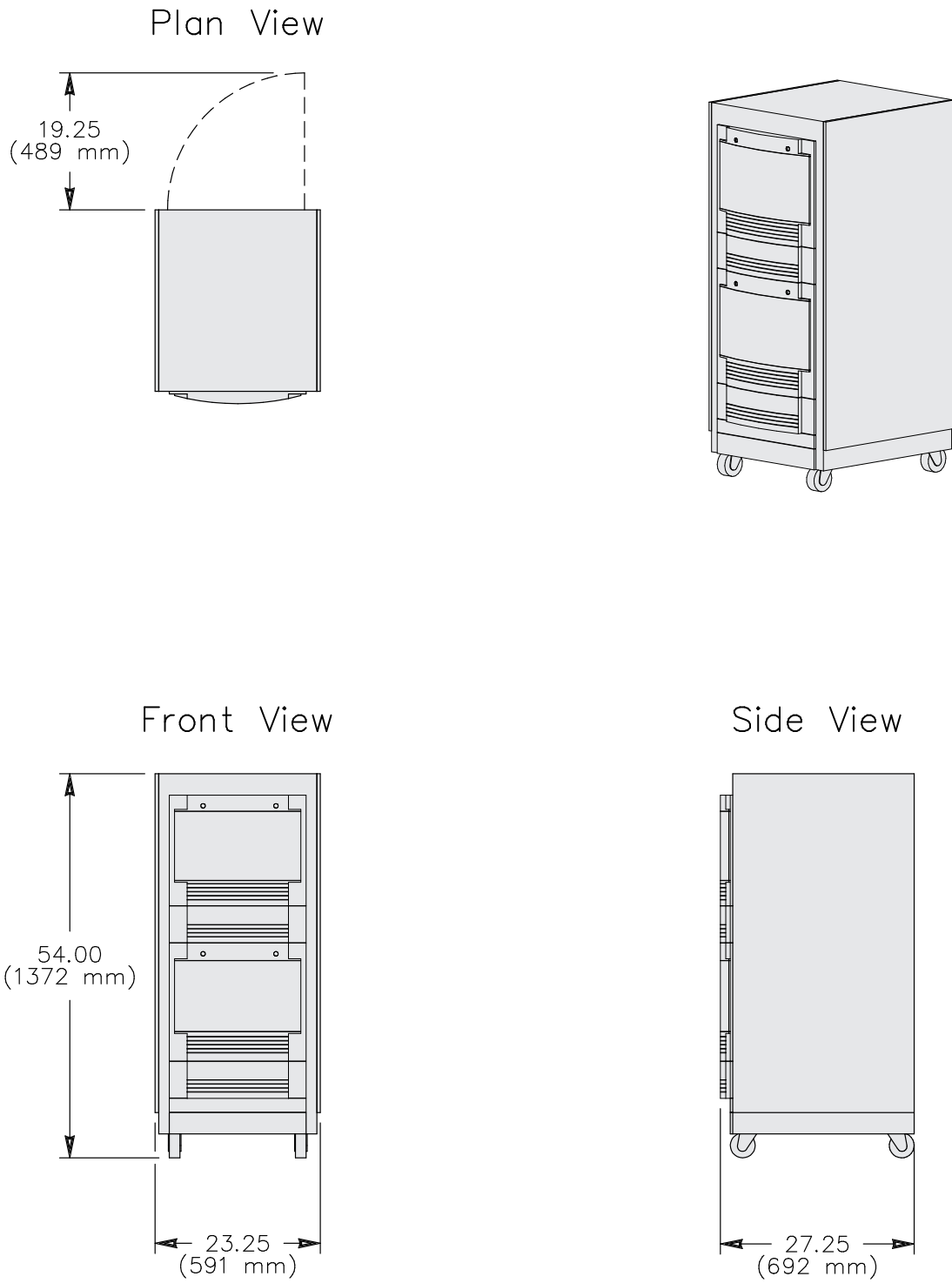
Specifications

Table 1 provides the specifications for the SSC-1. Refer to Figure 2 for an illustration of the SSC-1.

Table 1. SSC-1 Specifications

Characteristic	Specification
Height	54.00 in. (1,372 mm)
Width	23.25 in. (591 mm)
Depth	27.25 in. (692 mm)
Weight	400 lbs (181 kg)
Access requirements	36.00 in. front and rear
Cooling requirement	Ambient air
Heat dissipation to air	1.47 kBtu/hr
Power consumption	0.43 kW
Input voltage	Single phase, 100 to 120 or 200 to 240 Vac
Frequency	50 or 60 Hz
Power cable	6-ft (1.8-m) plug-compatible drop cord
Power receptacle: North America and Japan International	NEMA #L5-20R or equivalent IEC309, single phase, 16 amp

Figure 2. Support System Chassis (SSC-1)

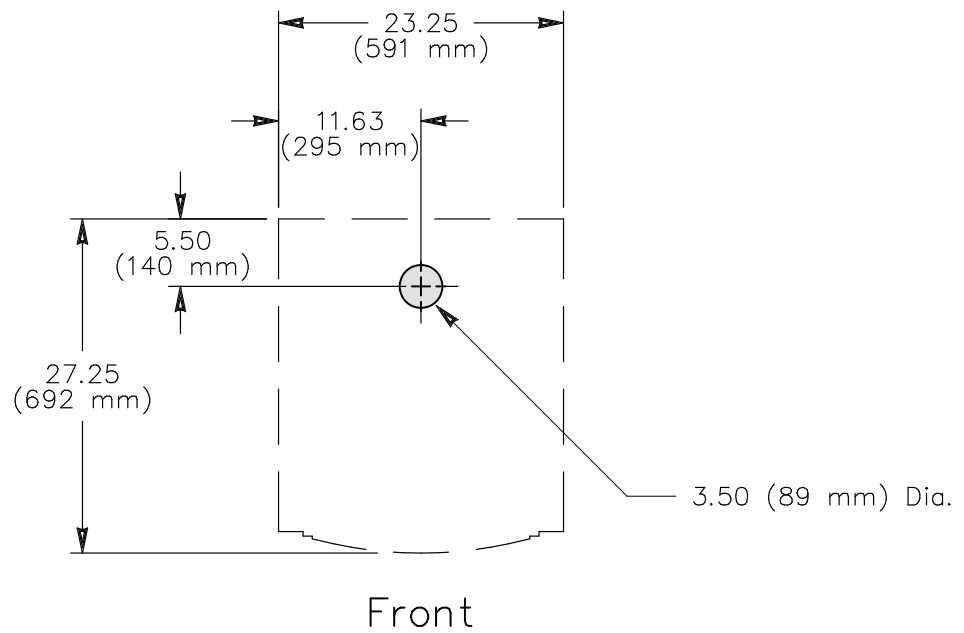


Floor Preparation

Prior to system delivery, you must prepare one floor cutout for the SSC-1 installation. The floor cutout provides an opening for all data and power connections in the support system. To prevent damage to these system connections, the cutout panel must be free of sharp edges and burrs.

Refer to Figure 3 for an illustration of the SSC-1 floor cutout location.

Figure 3. SSC-1 Floor Cutout Location



Workstation Terminal (WT-1)

The workstation terminal (WT-1) is a SPARC based Sun Workstation. Both the MWS and OWS are configured with one of these terminals. The WT-1 is located on a Cray Research-provided table.

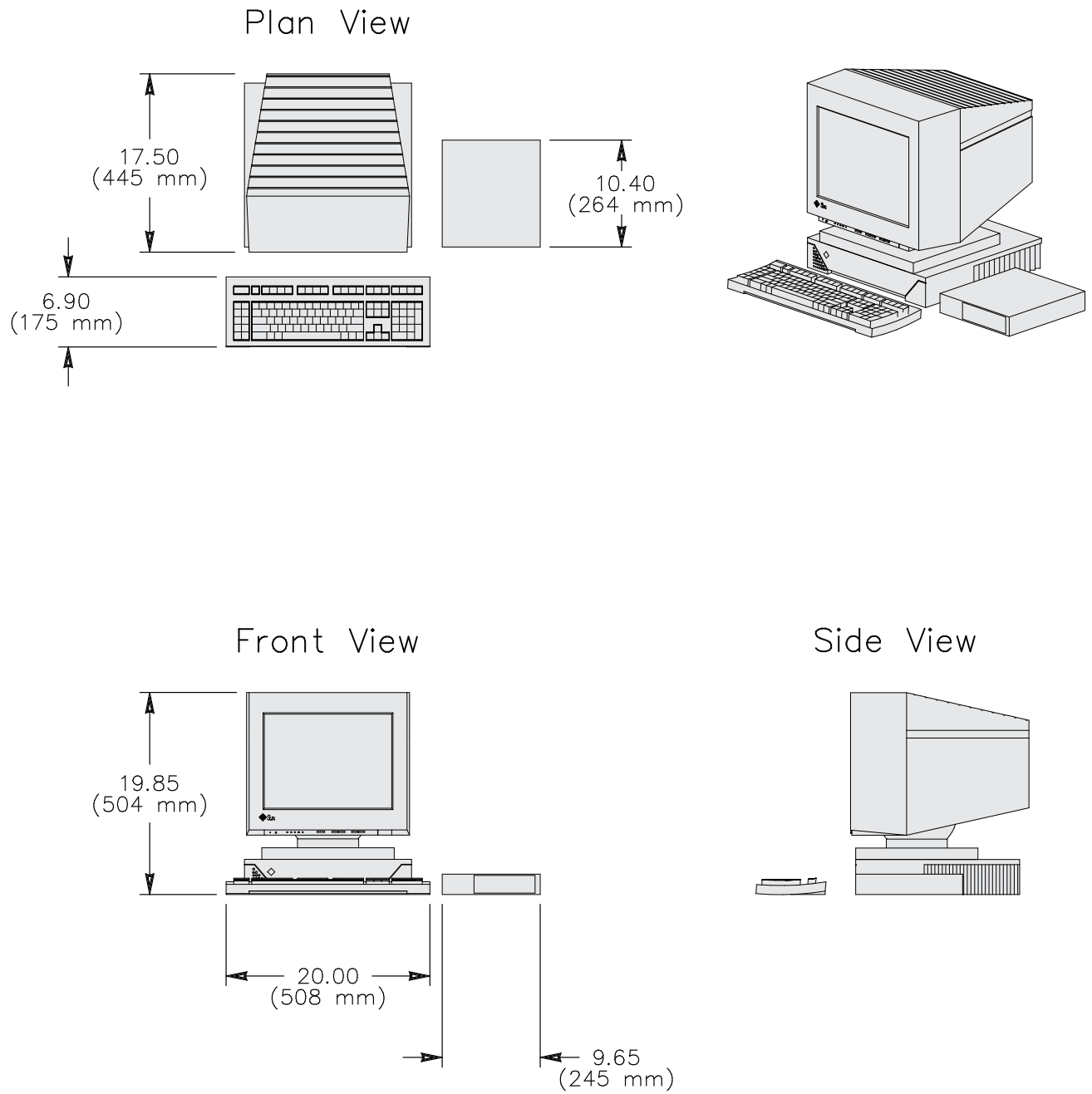
Specifications

Table 2 provides the specifications for the WT-1 components. Refer to Figure 4 for an illustration of the WT-1.

Table 2. WT-1 Specifications

Characteristic	Specification
Height	19.85 in. (504 mm)
Width	30.00 in. (762 mm)
Depth	25.50 in. (648 mm)
Weight	79 lbs (36 kg)
Cooling requirement	Ambient air
Heat dissipation to air	2.01 kBtu/hr
Power consumption	0.59 kW
Input voltage	Single phase, 100 to 120 or 200 to 240 Vac
Frequency	50 or 60 Hz
Power cable	8-ft (2.4-m) plug-compatible drop cord
Power receptacle: North America and Japan International	NEMA #5-15R or equivalent IEC309, single phase, 16 amp (refer to Figure 8)

Figure 4. Workstation Terminal (WT-1)



Laser Printer (LP-7)

The laser printer (LP-7) is a 300-dots-per-inch (dpi) printer that connects to the MWS and SSC-1. The LP-7 will be located on a Cray Research-provided table.

Specifications

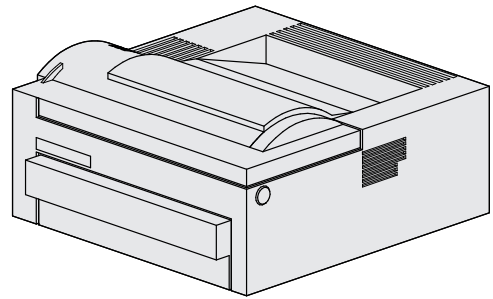
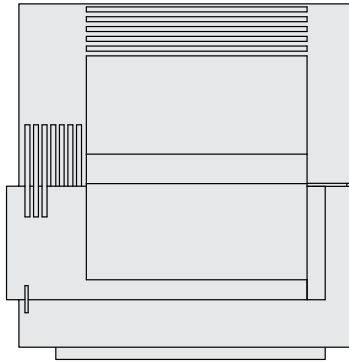
Table 3 provides the specifications for the LP-7 printer. Refer to Figure 5 for an illustration of the LP-7.

Table 3. LP-7 Specifications

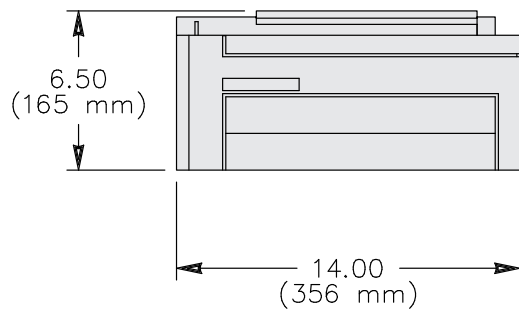
Characteristic	Specification
Height	6.50 in. (165 mm)
Width	14.00 in. (356 mm)
Depth	14.50 in. (368 mm)
Weight	16 lbs (7 kg)
Cooling requirement	Ambient air
Heat dissipation to air	0.61 kBtu/hr
Power consumption	0.18 kW
Input voltage	Single phase, 100 to 120 or 200 to 240 Vac
Frequency	50 or 60 Hz
Power cable	6-ft (1.8-m) plug-compatible drop cord
Power receptacle: North America and Japan International	NEMA #5-15R or equivalent Country specific

Figure 5. Laser Printer (LP-7)

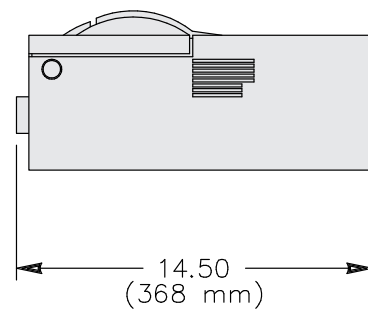
Plan View



Front View



Side View



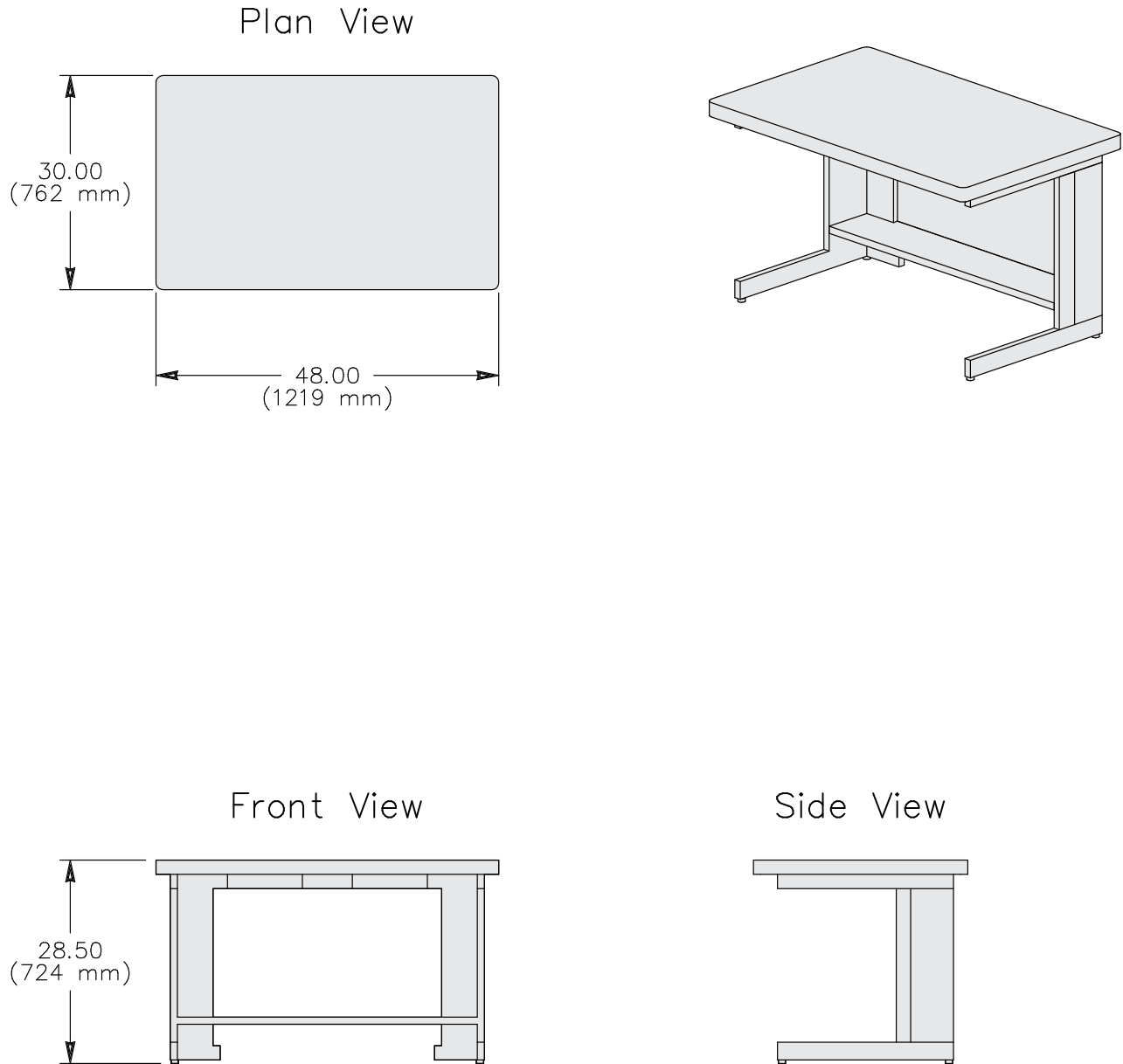
Support System Table (TBL-4)

The support system includes a table (TBL-4) with both the MWS and the OWS. The workstation (WT-1) and laser printer (LP-7) are placed on this table. Table 4 provides the specifications for the TBL-4. Refer to Figure 6 for an illustration of this table.

Table 4. TBL-4 Specifications

Characteristic	Specification
Height	28.50 in. (724 mm)
Width	48.00 in. (1,219 mm)
Depth	30.00 in. (762 mm)
Weight	85 lbs (38 kg)

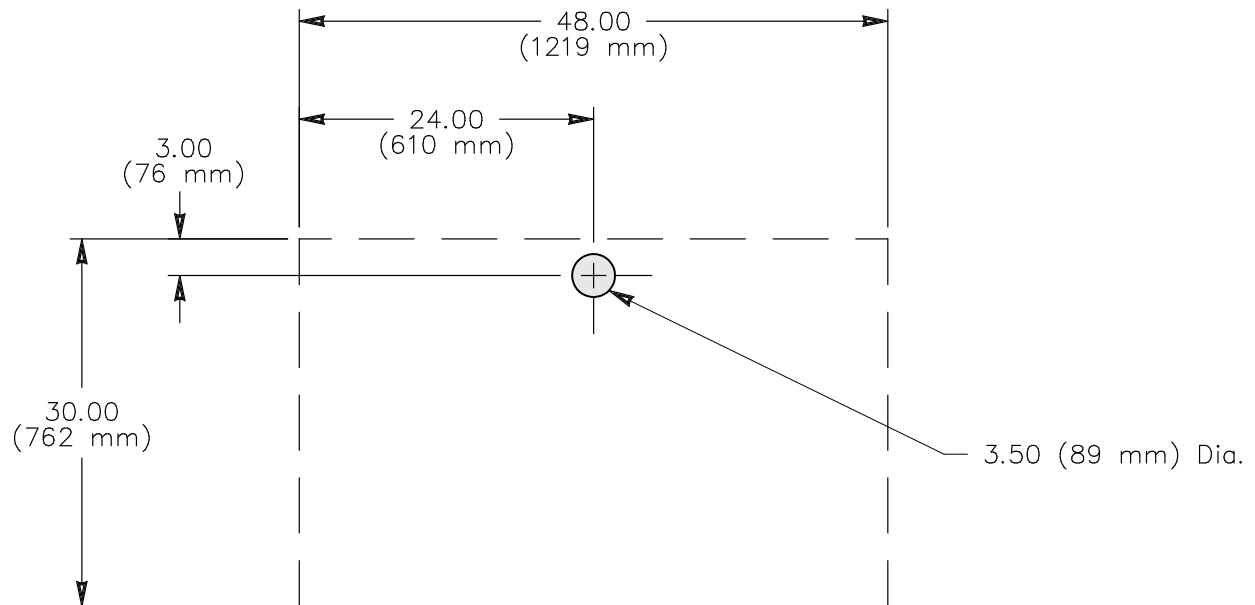
Figure 6. Support System Table (TBL-4)



Floor Preparation

You must provide a 3.50-in. (89-mm) diameter floor cutout for each of the OWS and MWS worktables for power and data cables. The floor cutouts must be free of sharp edges and burrs to prevent damage to these system connections. Refer to Figure 7 for an illustration of this floor cutout.

Figure 7. TBL-4 Floor Cutout



Power Wiring Requirements

You must provide and install the following power wiring for the support system components:

- One of the following incoming single-phase, 3-wire (including ground wire) circuits to the SSC-1:
 - 100 to 120 Vac, 60 Hz, 20 A
 - 200 to 240 Vac, 50 Hz, 16 A
- One of the following incoming single-phase, 3-wire (including ground wire) circuits to each WT-1:
 - 100 to 120 Vac, 60 Hz, 15 A
 - 200 to 240 Vac, 50 Hz, 16 A

Refer to Figure 8 for an illustration of the power wiring used with the support system.

Figure 8. SS-1 Power Wiring

